



ENGREDAN Elementos de Transmissão Ltda  
 Rua Serra de Maracujá, 30 –Parque Reid  
 CEP 09920-040

Fone: (11) 2758-6099 / Cel/Whats: (11) 99222-0666 – (11) 93800-3636  
 Site: [www.engredan.com.br](http://www.engredan.com.br)  
 E-Mail : [vendas@engredan.com.br](mailto:vendas@engredan.com.br)

## ENGRENAGENS DIN 06B SIMPLES PASSO 3/8” – 9.525 MM NORMA DIN AMERICANA

0.375 INCH (9.525 mm) PITCH **SIMPLEX**

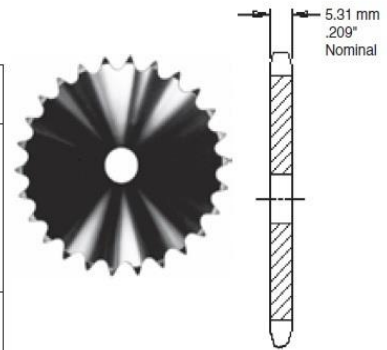
**CHAIN DATA:**

BS 228/3  
 ISO 06B-1  
 PITCH: 9.53 mm (0.375")  
 ROLLER DIAMETER: 6.35 mm (0.250")  
 ROLLER WIDTH: 5.72 mm (0.225")  
 TENSILE: 910 kilos (2000 lbs.)

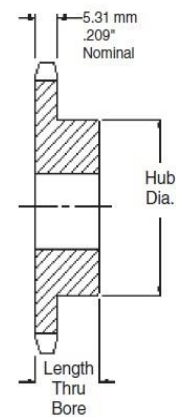
### Simplex - Type B — Steel

No. Teeth	Pitch Diameter MM	Catalog Number	Bore		Hub		Weight Approx. (kg)	Catalog Number	Bore Stock MM	Weight Approx. (kg)
			Stock MM	Max. MM	Dia. MM	Thru MM				
8	24.89	06B8	8	9	13	22	0.03	—	—	—
9	27.85	06B9	8	11	16	22	0.04	—	—	—
10	30.82	06B10	8	12	20	22	0.06	—	—	—
11	33.81	06B11	8	14	23	25	0.09	—	—	—
12	36.80	06B12	8	16	26	25	0.10	—	—	—
13	39.80	06B13	10	18	29	25	0.11	—	—	—
14	42.80	06B14	10	19	31	25	0.12	—	—	—
15	45.81	06B15	10	20	34	25	0.14	06A15	8	0.07
16	48.82	06B16	10	22	37	25	0.18	06A16	10	0.08
17	51.84	06B17	10	25	40	28	0.20	06A17	10	0.18
18	54.85	06B18	10	25	43	28	0.23	06A18	10	0.11
19	57.87	06B19	10	28	46	28	0.25	06A19	10	0.12
20	60.89	06B20	10	30	49	28	0.31	06A20	10	0.13
21	63.91	06B21	12	30	50	28	0.36	06A21	10	0.14
22	66.93	06B22	12	32	51	28	0.37	06A22	10	0.15
23	69.95	06B23	12	32	52	28	0.39	06A23	10	0.17
24	72.97	06B24	12	32	54	28	0.40	06A24	10	0.19
25	76.00	06B25	12	35	57	28	0.41	06A25	10	0.20
26	79.02	06B26	12	38	60	28	0.42	06A26	10	0.21
27	82.05	06B27	12	38	60	28	0.44	06A27	10	0.22
28	85.07	06B28	12	38	60	28	0.45	06A28	10	0.23
29	88.10	06B29	12	38	60	28	0.47	06A29	10	0.25
30	91.12	06B30	12	38	60	30	0.48	06A30	10	0.27
32	97.18	06B32	14	40	65	30	0.56	06A32	12	0.20
35	106.26	06B35	14	40	65	30	0.68	06A35	12	0.27
36	109.29	06B36	16	45	70	30	0.71	06A36	12	0.28
38	115.35	06B38	16	45	70	30	0.77	06A38	14	0.43
40	121.40	06B40	16	45	70	30	0.81	06A40	14	0.45
42	127.46	06B42	16	45	70	30	0.85	06A42	14	0.48
45	136.55	06B45	16	45	75	30	0.91	06A45	14	0.51
48	145.64	06B48	16	45	75	30	0.97	06A48	14	0.54
54	163.82	06B54	16	45	75	30	1.09	06A54	14	0.61
57	172.91	06B57	19	45	75	30	1.27	06A57	18	0.86
60	182.00	06B60	19	45	75	30	1.34	06A60	18	0.91
64	194.12	06B64	19	45	75	30	1.43	06A64	18	0.97
70	212.30	06B70	19	45	75	30	1.56	06A70	18	1.06
72	218.37	06B72	19	45	75	30	1.60	06A72	18	1.09
76	230.49	06B76	19	45	75	30	1.91	06A76	18	1.45
80	242.61	06B80	19	45	75	30	2.01	06A80	18	1.53
84	254.74	06B84	19	45	75	30	2.11	06A84	18	1.60
90	272.93	06B90	19	52	75	30	2.26	06A90	18	1.72
95	288.08	06B95	19	52	75	30	2.61	06A95	18	2.18
96	291.11	06B96	19	52	75	30	2.64	06A96	18	2.20
114	345.68	06B114	19	52	75	30	3.63	06A114	18	3.13

### Simplex - Type A — Steel



TYPE A



TYPE B

Maximum bores shown will accommodate standard keyseat and setscrew over keyseat. Slightly larger bores are possible with no keyseat, shallow keyseat, or setscrew at angle to keyseat.